

GENERAL DESCRIPTION

List: RM35-1-May 2016

Hydraulic valve RM35 provides change of fluid flow direction, hydro-systems pressure restriction, pump unloading in neutral position of the spools. The valve RM35 is designed to be integrated in hydraulic systems of Mobile and Industrial Machines.

The valve assembly consists of:

A body with integrated relief and check valve, spool, control and spring-centering group of the spool.

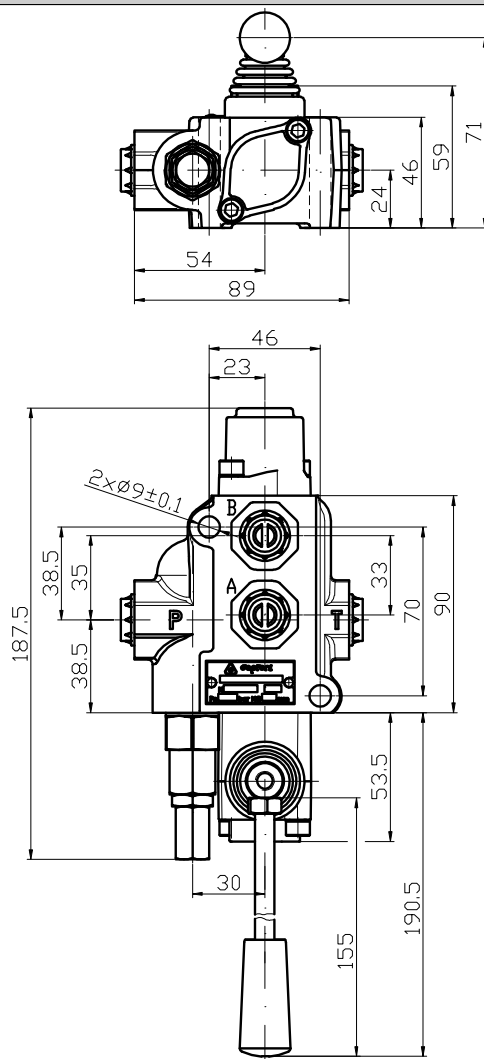
The valve RM35 provides direct passing of the flow from the pump line to the tank at neutral position (open center).

There is different control options: spring-centering in "neutral" position, detent, automatic kick-out, hydraulic and electro-hydraulic control.

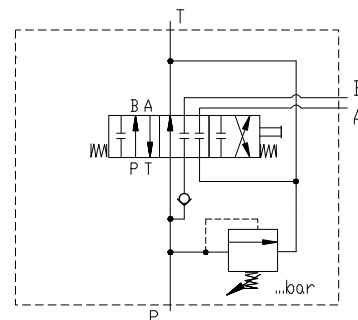
TECHNICAL DATA

Rated flow	35 l/min
Max. pressure	P=250 bar; T=50 bar; A,B= 300 bar
Spool stroke	±6 mm
Working temperature range	-15...+80 °C
Working liquid	hydraulic oil HLP DIN51524
Liquid viscosity	15...300cSt
Nominal filtration	ISO4406: 19/16 (recommended filter element - 0,025mm mesh)
Internal leakage at 120 bar , t=40°C and viscosity 46cSt	max. 8cm ³ /min; max 2cm ³ /min (special version)
Actuating force	less than 200N
Weight	2,2kg

DIMENSIONS



RM35/Q/1CLA1/G/N



ORDERING CODE

RM35EHI / N / Q / 1 CL A 1 E1 / G / N

type of control	Code
without control	omit
ON-OFF internal electro-hydraulic	EHI
ON-OFF external electro-hydraulic	EHE
ON-OFF electro-pneumatic	EPC
ON-OFF hydraulic	HC
ON-OFF pneumatic	PC

with check valve - omit
without check valve - N

relief valve	Code
setting range 5...250bar. (example of required settings 180bar.)	Q Q180
shut-off plug installed	K

spools	Code
	1
	2
	3
	4*
	5*
	6
	7
	8*
	9*
	10*
	12
	13

* The scheme (spool code 4, 5, 8, 9 and 10) needs special body with extra machining.

Code	spool control
1	
2	
3	
4	
5	
6	
7	
9	
10	
11*	 Adjustment range of automatic kick-out feature - 60...180bar
12	
13	
14	
15	
16	
17	
SD1	
SD10	

standard port threads	
Code	P, T, A, B
M	M18x1,5-6H
G	G3/8"-A

Code	application
N	normal
T	tropical

Code	<p>micro switch: max. current/voltage - 5A/250V AC protection - IP67 contact configuration</p> <p>DIN 43650-A</p>
omit	without microswitch
E1	
E2	
E3	

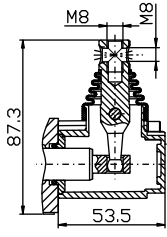
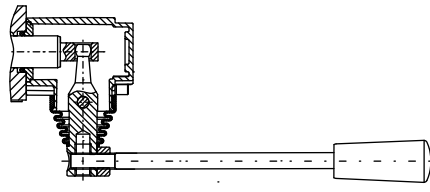
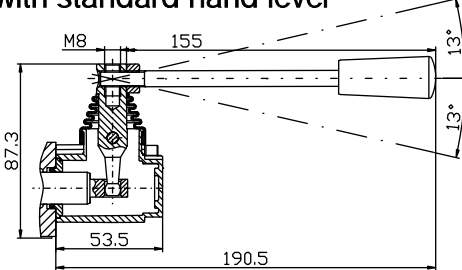
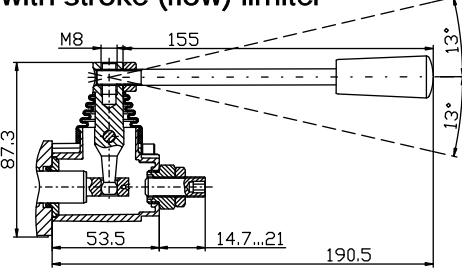
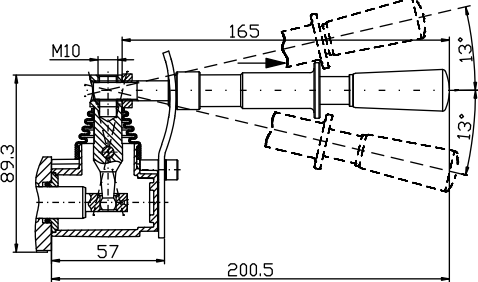
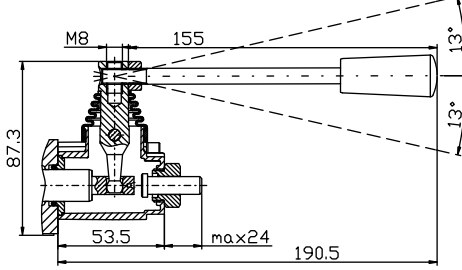
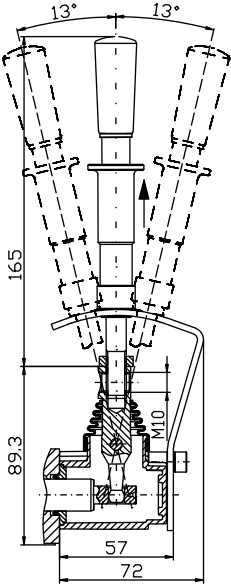
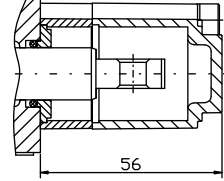
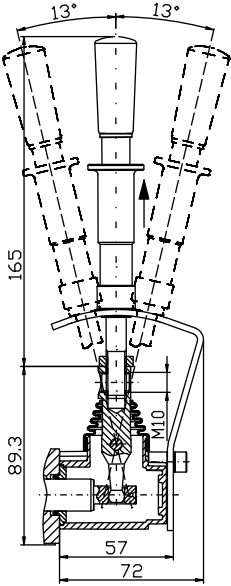
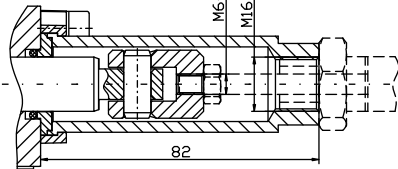
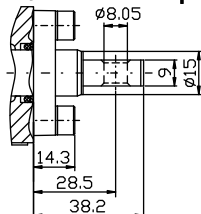
Code	spool control
20-12	12VDC
20-24	24VDC
20-11	110VRAC
20-22	220VRAC
30-12	12VDC
30-24	24VDC
30-11	110VRAC
30-22	220VRAC
32	

* The kit (spool control code 11) needs special spool.

Code	lever position
A	at port side A (standard)
B	at port side B

Code	operation control
C	see page 3/3
CL	
CLO	
CLR	
CLS	
SHL	
SVL	
CP	
H	
Z	

OPERATION CONTROL

operation control	Code	operation control	Code
without standard hand lever 	C	with standard hand lever at 180° 	CLO
with standard hand lever 	CL	with stroke (flow) limiter 	CLR
with horizontal safety lever 	SHL	with limit switch 	CLS
with vertical safety lever 	SVL	with protection cap 	CP
with vertical safety lever 		with cable control  <p>Cables , single levers and joystick controls - on request</p>	H
		without lever , with dust-proof plate 	Z